

The expert for wood.



LogWIN – the best of nature and technology.

LogWIN – wood gasification boiler

Nominal thermal output: 13 to 50 kW

Suitable fuels:

1/3 m and 1/2 m split logs, unprocessed residual wood, wood briquettes.

The best of nature and technology.

Wood is hot again.

Wood is arguably one of the oldest and original energy sources that man has made use of to keep warm. For a long period it was also the most important. Not until the industrial revolution and the growing demand for convenience was wood replaced by oil and gas.

Today, as our supplies of fossil fuels are diminishing and our responsibility to the environment is becoming ever more important, we are recalling **the advantages that wood offers as a fuel:**

✓ Environmentally responsible.



When you heat with wood, you make a significant contribution to the reduction of the greenhouse effect. In contrast to burning oil or gas, burning wood does not burden our atmosphere with additional CO₂.

✓ Economically responsible.



Wood is undoubtedly one of the most economic fuels on the market. The price of billet wood is also independent of the world market prices of crude oil and is largely stable.

✓ Guaranteed supply.



Wood is a replenishable and renewable energy source that we can harvest from our own forests. When you heat with wood you are independent of energy suppliers and have the greatest security of continued supply.



The new standard in the stainless steel class.

Heating with wood has renewed popularity due the huge advances in technology. The modern wood heating systems are efficient, enviromentally friendly and extremely comfortable.

Windhager, with its consistent development work and decades of experience, has made a significant contribution to this development. True to its motto "Continuously improving on success and further developing proven technology", Windhager is again setting the standard for modern heating with wood with the new LogWIN. A system in the new stainless steel class that in many ways far exceeds traditional wood heating systems.



The new LogWIN is...

... even safer and more durable.

- ✓ A corrosion-resistant filling chamber made of stainless steel offers the ultimate standard in corrosion protection.
- ✓ A sturdy, modular combustion chamber.
- ✓ Design with no wearing parts.

... even more convenient.

- ✓ The largest filling chamber in its class (176 / 226 litres) ensures long burning times.
- ✓ Long maintenance intervals and simple fuel replenishment without relighting as a result of the large capacity of the filling-chamber hearth block.
- ✓ Simple, clean ash removal with an attachable ash tray.

... even more economical and environmentally friendly.

- ✓ Inexpensive maintenance with no wearing parts.
- ✓ State-of-the-art "LAMBATHERM" combustion regulation ensures long-lasting, efficient and clean combustion, even with varying fuel quality.

Inovation by design.

The best of two combustion-regulation systems. 1



LAMBDAsensor +
THERMOcontrol
= LAMBATHERM

In order to guarantee clean, efficient combustion despite varying fuel quality, Windhager has combined proven Thermocontrol regulation with a Lambda probe.

The advantages for you:

- ✓ Long-term, clean, efficient combustion.
- ✓ Improved burnout characteristics and long maintenance intervals.
- ✓ Additional protection against over-firing the boiler.

The **combustion fan** included as a standard accelerates the heating process, and supports controlled combustion.

Corrosion free stainless steel combustion chamber. 3

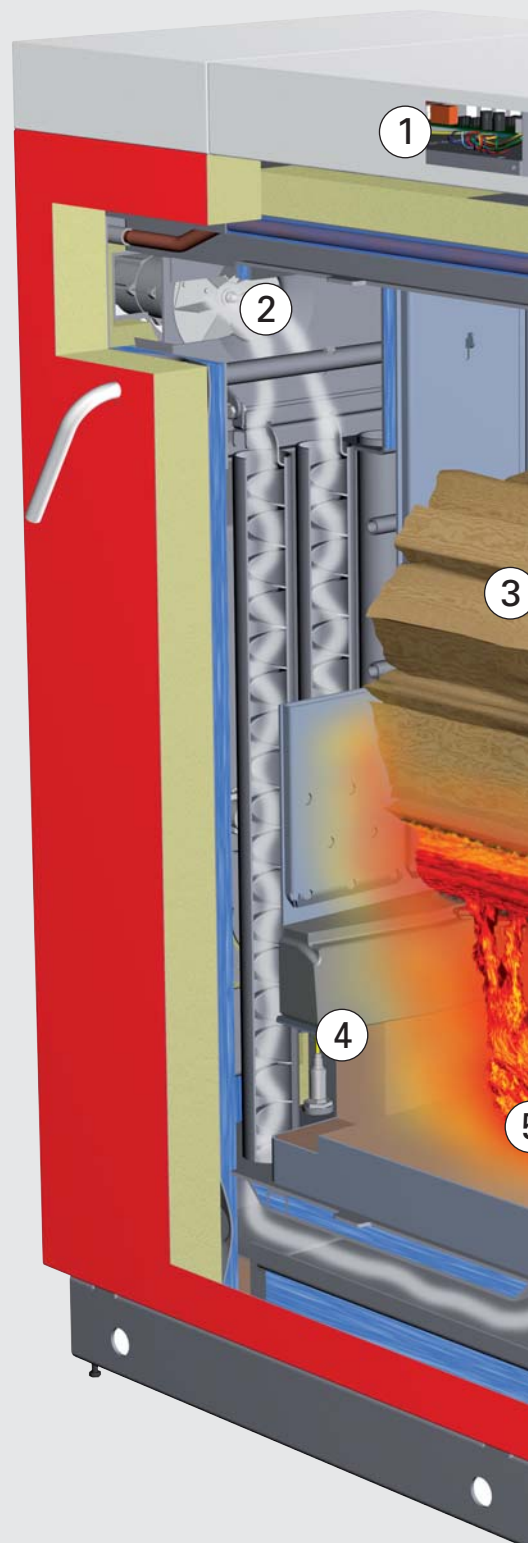


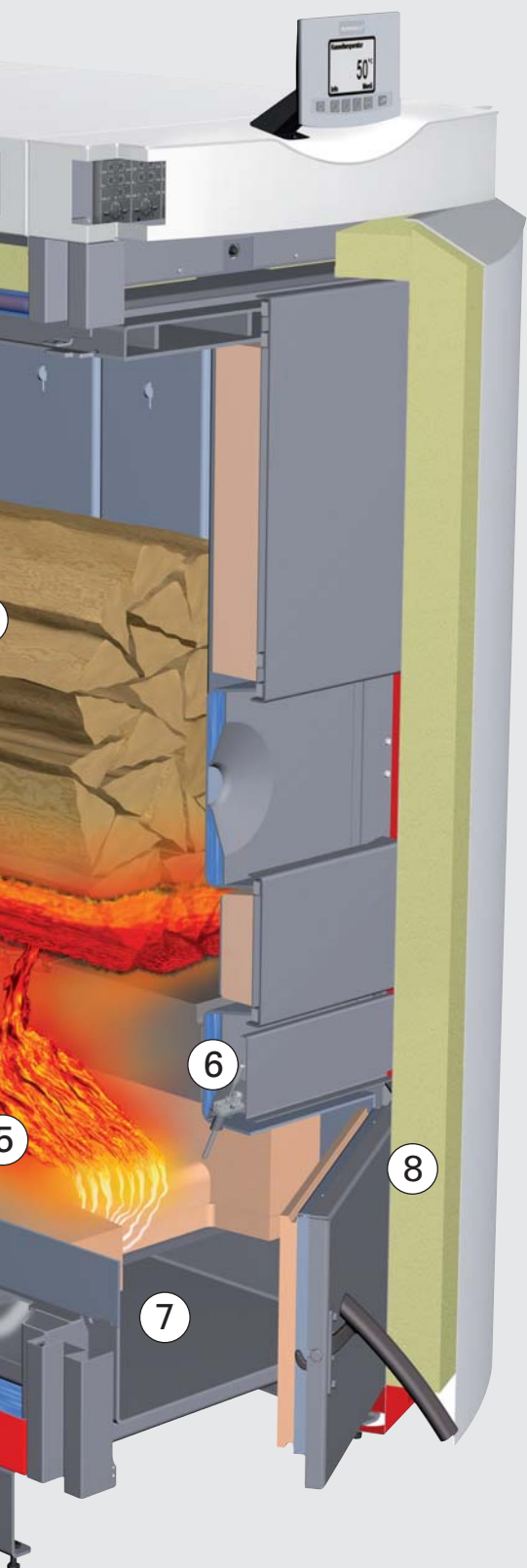
Burning wood releases organic acids that can severely corrode the filling chamber. Filling chambers made of conventional steel can suffer up to 0.6 mm of degraded wall thickness per year of operation. Stainless steel, on the other hand, is considered the most resistant and durable material for constructing boilers and therefore offers long-term protection against corrosion.

The advantages for you:

- ✓ Provides long boiler life.

A **Lambda sensor** in addition to Thermocontrol regulation.





5 Patented modular combustion chamber.



The combustion chamber is the heart of a wood gasification boiler and must meet many criteria. On the one hand, proper thermal insulation is essential for efficiency, on the other hand, the chamber must also withstand

enormous thermal and mechanical forces. In order to fulfil these requirements Windhager have developed a modular, sturdy combustion chamber to meet this demands.

The advantage for you:

- ✓ Optimal operational characteristics plus long life.

6 A long-lasting, heavy-duty “thermal probe” as a component of the LAMBATHERM regulation system.

7 Attachable ash tray.



Even with the best combustion regulation system, ash builds up and must be removed regularly. To do this as simply as possible with minimum mess, Windhager have integrated a practical, detailed solution in the boiler –

the attachable ash tray.

The advantage for you:

- ✓ The ash can be swept directly from the filling chamber into the ash tray, almost no dust is spilt and the boiler room stays clean.

8 Thanks to the fully insulated door cladding, the radiant energy from the inner doors is collected and made available through channels as prewarmed primary and secondary air.

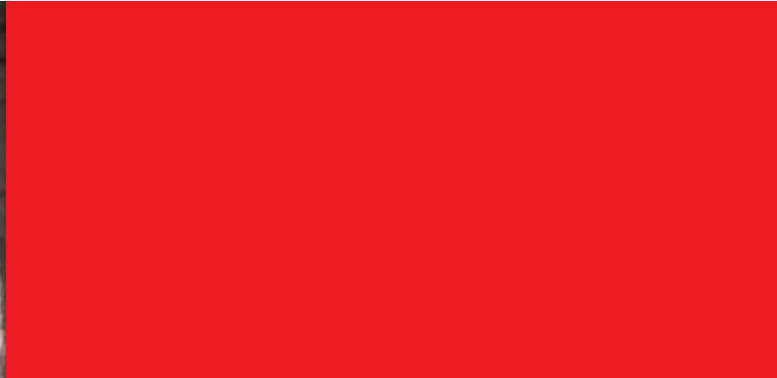
Equipped for anything.

Versatile and flexible.

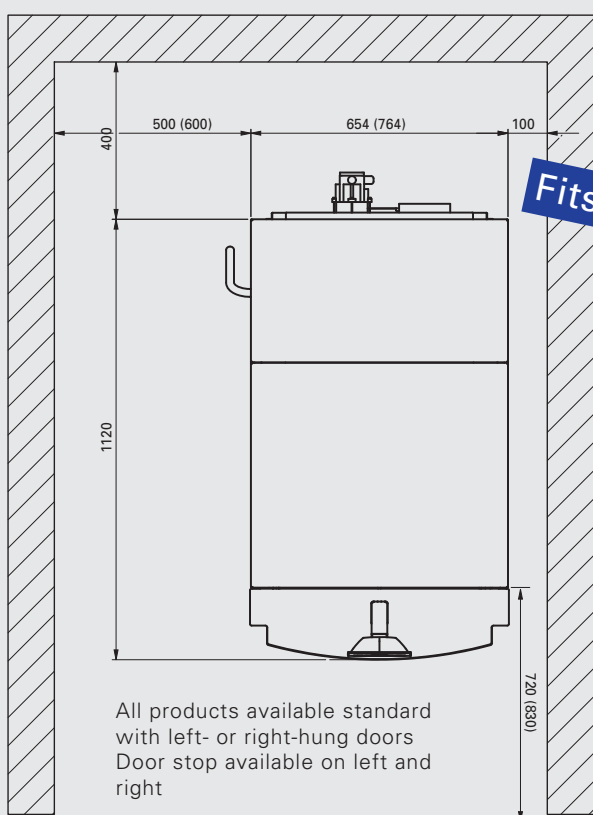
Looking to combine the LogWIN with a solar-heating system? Planning an expansion to your heating system? No problem! The LogWIN can handle the operation of single- or multiple-circuit systems, under-floor heating and/or radiators just as easily a combination with other heat generators. Just like all heating solutions from Windhager, the LogWIN is optimally equipped for use with other systems. So you save both time and money when installing the system.



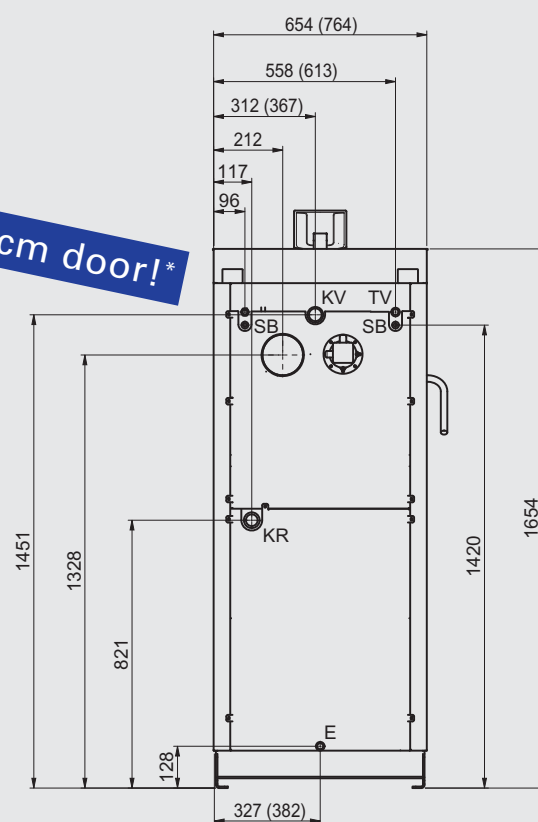
Incidentally – when it comes to heating, you'll find everything under one roof at Windhager Zentralheizung. Windhager provides solutions and components for all fuels and every need. You not only have a single source for all your needs, you have the security that everything will work together perfectly – and that with the unique function guarantee on all Windhager systems.



Dimensional sketches and technical data.



Fits in any 70 cm door!*



Minimum clearances – view from above

Rear view

All measurements in mm.
Details in brackets apply to LWP 360–500.

KR = boiler return 5/4" IG
KV = boiler feed 5/4" IG

Technical data

LogWIN wood gasification boiler		LWP 180	LWP 250	LWP 300	LWP 360	LWP 500
Nominal thermal output	kW	13 – 17,4	13 – 25	13 – 29,9	17,8 – 35,6	24 – 49,9
Filling chamber volume	Liter	176	176	176	226	226
Minimum transport weight	kg	463	463	463	519	519
Installation dimensions WxDxH (without cladding)*	mm	640 x 1020 x 1520			695 x 1020 x 1520	
Boiler dimensions WxDxH (with cladding)	mm	654 x 1120 x 1780			764 x 1120 x 1780	
Flue gas tube connection	ø mm	130	130	130	150	150
Flue gas tube connection height	mm	1328	1328	1328	1328	1328
Electrical connection	kW	0,12	0,12	0,12	0,12	0,12

www.windhager.co.uk

Windhager offers more than first-class products:

Quality consulting from our expert partners.

You can obtain WINDHAGER ZENTRALHEIZUNG products from our expert PARTNERS. Our partners are experienced heating specialists who work in close professional cooperation with WINDHAGER ZENTRALHEIZUNG to achieve the best results for our customers.

Professional customer service network.

Perfect customer service is one of the mainstays of WINDHAGER's success. Our professional customer service network guarantees the best customer care every day. Our customer service technicians are experienced professionals who work quickly and reliably, without any bureaucratic fuss.



Your expert PARTNER:

Austria:

Windhager Zentralheizung GmbH
A-5201 Seekirchen near Salzburg
Anton-Windhager-Straße 20
Tel. +43 (0) 62 12/23 41-0
Fax +43 (0) 62 12/42 28
E-Mail info@at.windhager.com

Germany:

Windhager Zentralheizung GmbH
D-86405 Meitingen near Augsburg
Deutzring 2
Tel. +49 (0) 82 71/80 56-0
Fax +49 (0) 82 71/80 56-30
E-Mail info@de.windhager.com

Switzerland:

Windhager Zentralheizung Schweiz AG
CH-6203 Sempach-Station near Luzern
Industriestrasse 13
Tel. +41 (0) 41/469 469-7
Fax +41 (0) 41/469 469-9
E-Mail info@ch.windhager.com

Italy:

Windhager Italia S.R.L.
Via Ungheresca sud
31010 Mareno di Piave (TV)
Tel. +39/04 38/49 91 43
Fax +39/04 38/49 78 84
E-Mail info@windhager.it

United Kingdom:

Windhager UK LTD.
4 Glenmore Business Park
Vincients Road
Bumpers Farm, Chippenham
SN14 6BB Wiltshire
Tel. +44/1249/446616
Fax +44/1249/653574
E-Mail info@windhager.co.uk

Ireland:

Windhager Ireland
The Abbey
Skibbereen
Co. Cork
Tel. +353/28/23680
Fax +352/28/23681
E-Mail info@windhager.ie